

ILLUSTRATED

PARTSLIST

FOR

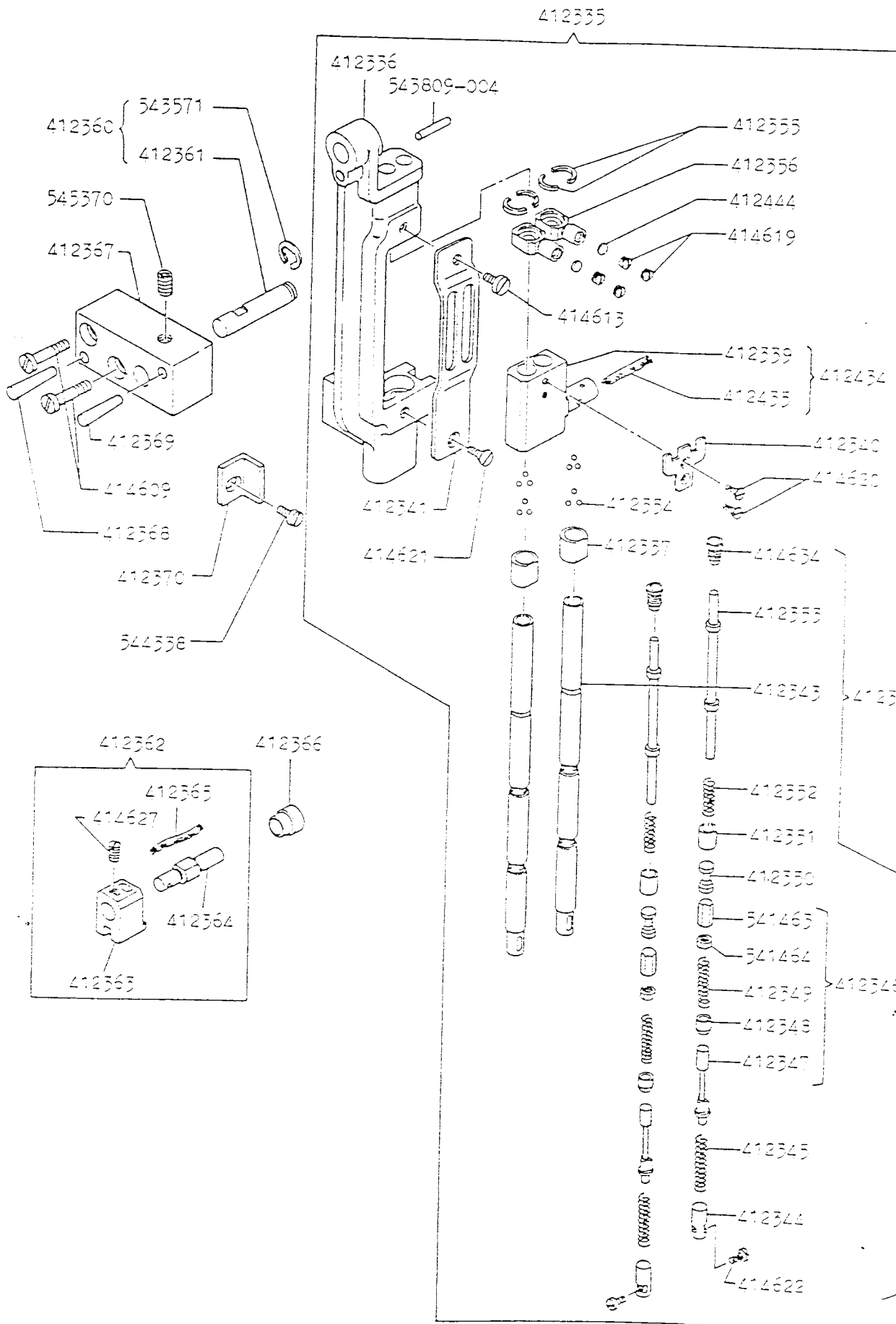
SINGER*

MACHINE

212U543A

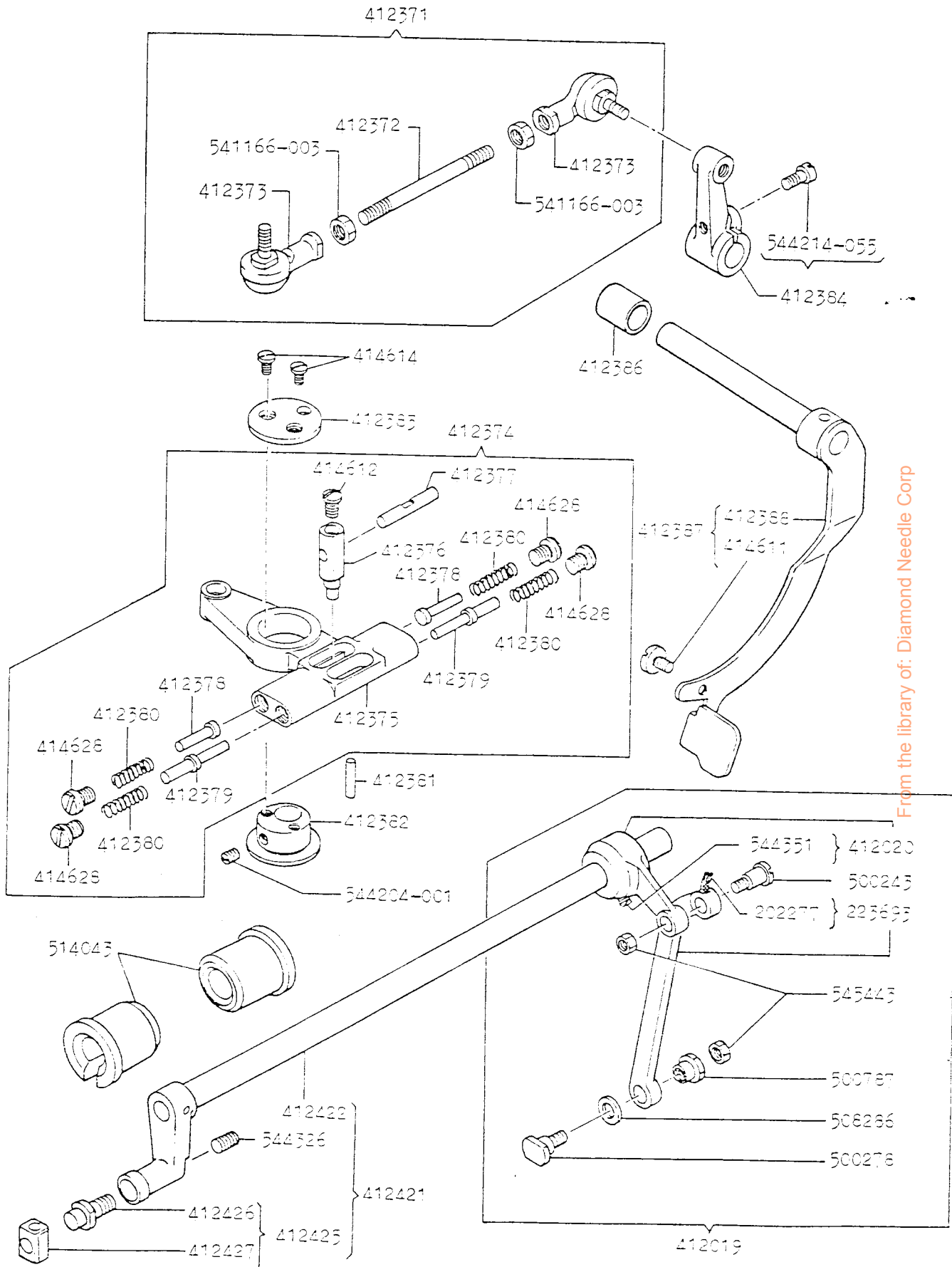
SUPPLEMENTARY PARTS LIST FOR MACHINE 212U543A
(Same as the complete list for 212U141A with
the following exceptions)

* A Trademark of THE SINGER COMPANY
Copyright © 1983 THE SINGER COMPANY
All Rights Reserved Throughout the World

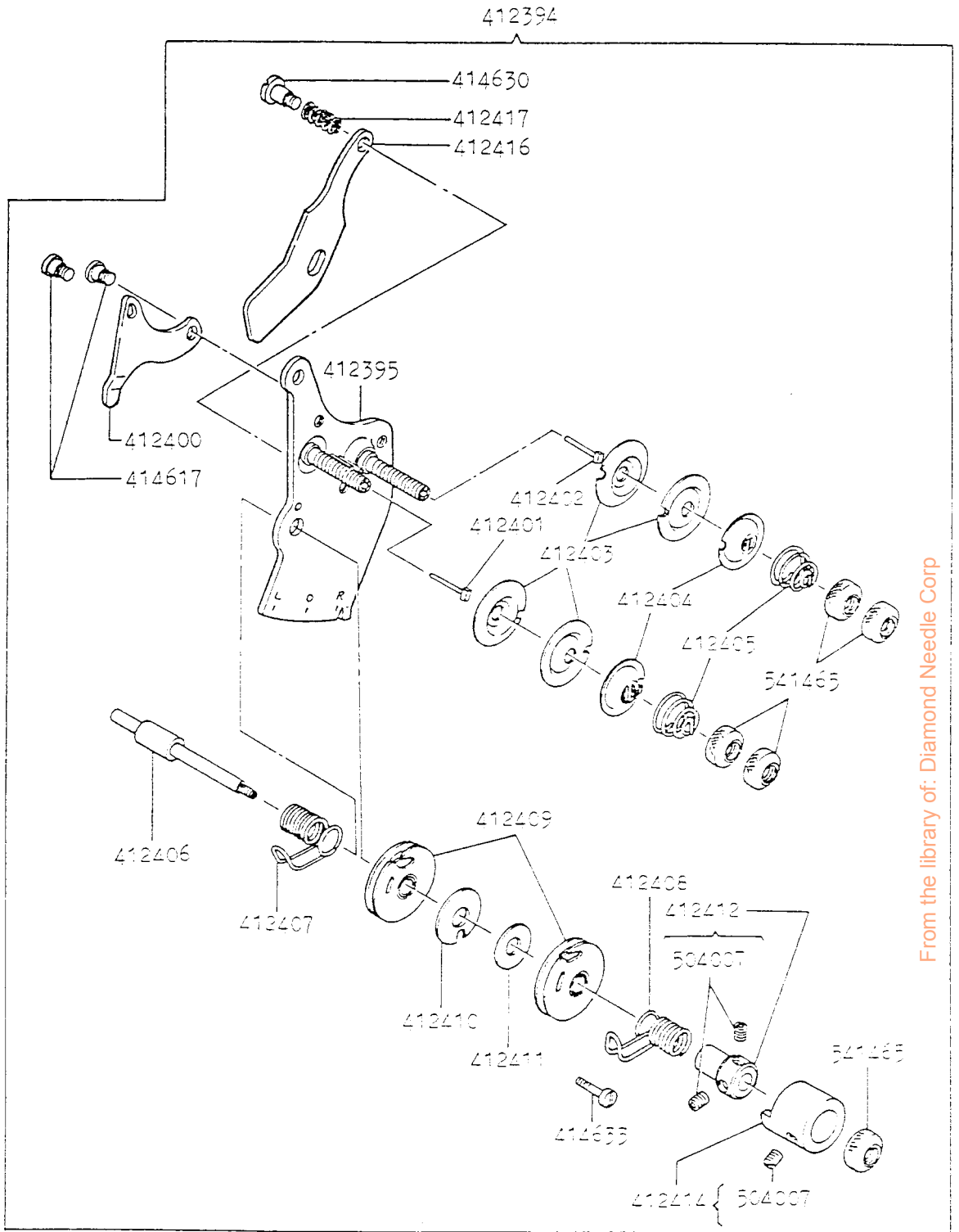


From the library of: Diamond Needle Corp

No.	212U543A 143A 144A 541A 543A 544A	Description
412335	- * * - * *	Needle Bar Rock Frame, Needle Bar, Needle Bar Connecting Stud Complete, 412336, 412337 (2), 412340, 412341, 412342 (2), 412355 (4), 412356 (2), 412434, 412444 (12), 414618, 414619 (4), 414620 (2), 414621, 543809-004
412336	- * * - * *	Needle Bar Rock Frame
412337	- * * - * *	Needle Bar Bushing (2)
412339	- * * - * *	Needle Bar Connecting Stud
412340	- * * - * *	Needle Bar Position Guide Bracket
412341	- * * - * *	Needle Bar Position Guide Plate
412342	- * * - * *	Needle Bar Complete (2), 412343, 412344, 412345, 412346, 412350, 412351, 412352, 412353, 414622, 414634
412343	- * * - * *	Needle Bar (2)
412344	- * * - * *	Needle Bar Liner (2)
412345	- * * - * *	Needle Bar Spring (2)
412346	- * * - * *	Steel Ball Guide Stud Complete (2), 412347, 412348, 412349, 541463, 541464
412347	- * * - * *	Steel Ball Guide Stud (2)
412348	- * * - * *	Steel Ball Guide Stud Slide Block (2)
412349	- * * - * *	Steel Ball Guide Stud Spring (2)
412350	- * * - * *	Steel Ball Guide Block (2)
412351	- * * - * *	Needle Stopping Stud Collar (2)
412352	- * * - * *	Needle Stopping Stud Spring (2)
412353	- * * - * *	Needle Stopping Stud (2)
412354	- * * - * *	Steel Ball (12)
412355	- * * - * *	Needle Bar Position Guide Ratchet (4)
412356	- * * - * *	Needle Bar Position Guide (2)
412360	- * * - * *	Needle Bar Rock Frame Hinge Stud Complete 412361, 543571
412361	- * * - * *	Needle Bar Rock Frame Hinge Stud
412362	- * * - * *	Slide Block for Needle Stop Complete, 412363, 412364, 412365, 414627
412363	- * * - * *	Slide Block for Needle Stop
412364	- * * - * *	Slide Block Stud for Needle Stop
412365	- * * - * *	Slide Block Stud Wick for Needle Stop
412366	- * * - * *	Slide Block Stud Bushing for Needle Bushing
412367	- * * - * *	Needle Bar Rock Frame Bracket
412368	- * * - * *	Needle Bar Rock Frame Bracket Dowel Pin (short)
412369	- * * - * *	Needle Bar Rock Frame Bracket Dowel Pin (long)
412370	- * * - * *	Needle Bar Rock Frame Position Bracket
412434	- * * - * *	Needle Bar Connecting Stud Complete, 412339, 412435
412435	- * * - * *	Needle Bar Connecting Stud Wick
412444	- * * - * *	Needle Bar Position Guide Set Screw Liner (2)
414609	- * * - * *	Needle Bar Rock Frame Bracket Screw (2)
414613	- * * - * *	Needle Bar Position Guide Plate Screw (upper)
414619	- * * - * *	Needle Bar Position Guide Set Screw (4)
414620	- * * - * *	Needle Bar Position Guide Bracket Screw (2)
414621	- * * - * *	Needle Bar Position Guide Plate Screw (lower)
414622	- * * - * *	Needle Bar Liner Screw (2)
414627	- * * - * *	Slide Block Stud Set Screw for Needle Stop
414634	- * * - * *	Needle Bar Thumb Screw (2)
541463	- * * - * *	Steel Ball Guide Stud Nut (long) (2)
541464	- * * - * *	Steel Ball Guide Stud Nut (short) (2)
543571	- * * - * *	Needle Bar Rock Frame Hinge Stud Stop Ring
543809-004	- * * - * *	Needle Bar Rock Frame Pin
544338	- * * - * *	Needle Bar Rock Frame Position Bracket Screw
545370	- * * - * *	Needle Bar Rock Frame Hinge Stud Set Screw

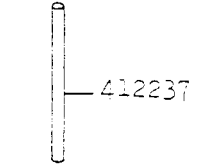
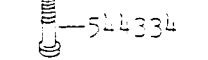
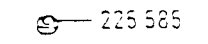
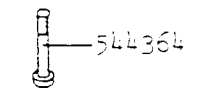
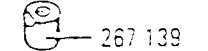
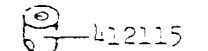
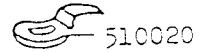
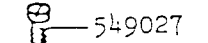
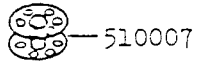
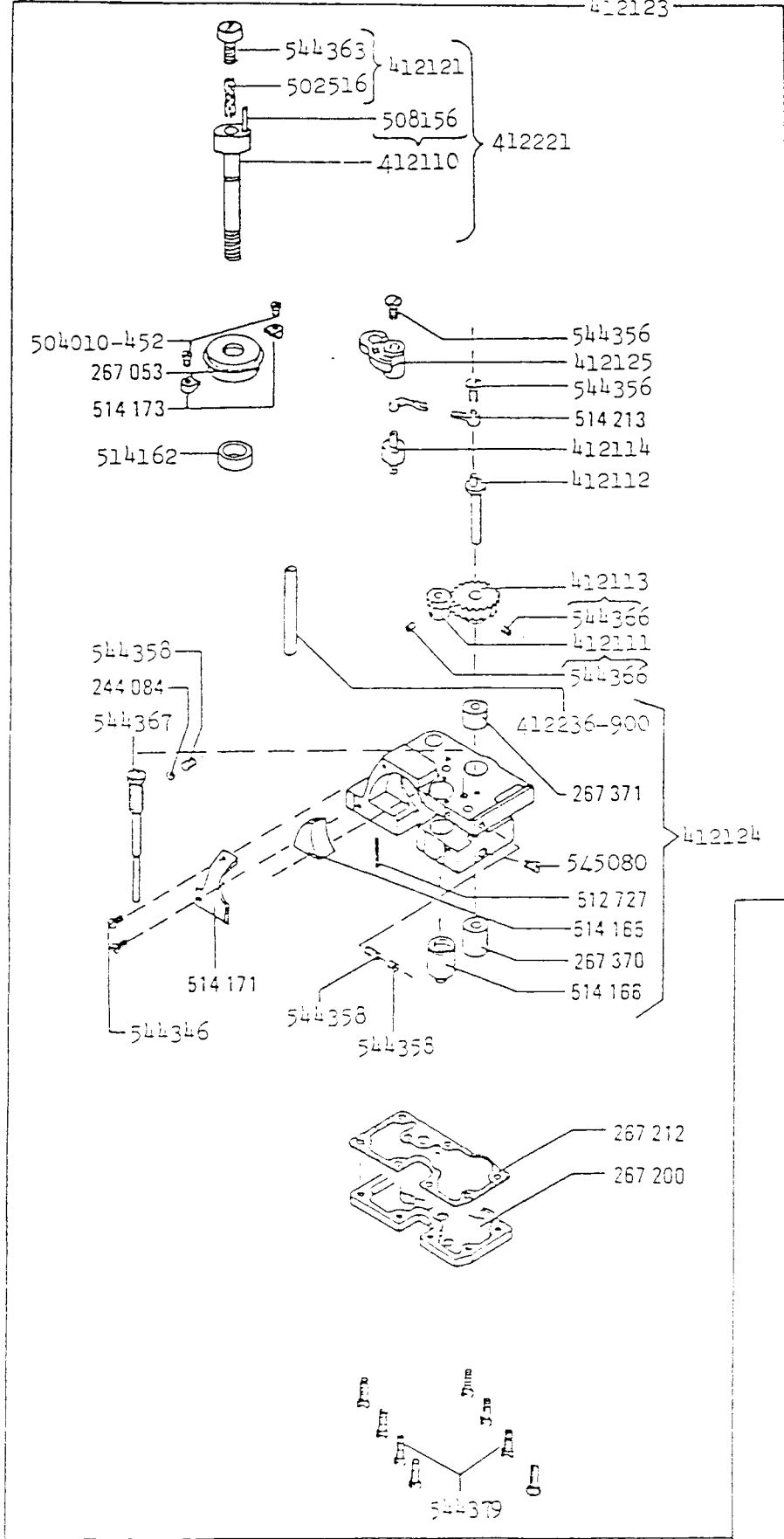


No.	212U543A					Description
	143	144A	541A	543A	544A	
202277	-	*	*	-	*	Needle Bar Rock Frame Rock Shaft Crank Connection Oil Wick
223693	-	*	*	-	*	Needle Bar Rock Frame Rock Shaft Crank Connection with 202277
412019	-	*	*	-	*	Needle Bar Rock Shaft Connection Link, Crank Complete 223693, 412020, 500243, 500278, 500787, 508286, 545443 (2)
412020	-	*	*	-	*	Needle Bar Rock Shaft Connection Link Crank with 544351
412371	-	*	*	-	*	Connecting Rod, Connecting Joint Complete, 412372, 412373 (2) 541166-003 (2)
412372	-	*	*	-	*	Connecting Rod
412373	-	*	*	-	*	Connecting Joint (2)
412374	-	*	*	-	*	Needle Bar Change Over Frame Complete, 412375, 412376, 412377, 412378 (2), 412379 (2), 412380 (4), 414612, 414628 (4)
412375	-	*	*	-	*	Needle Bar Change Over Frame
412376	-	*	*	-	*	Needle Bar Change Over Frame Connection
412377	-	*	*	-	*	Needle Bar Change Over Frame Connection Pin
412378	-	*	*	-	*	Needle Bar Change Over Frame Guide Pin (short) (2)
412379	-	*	*	-	*	Needle Bar Change Over Frame Guide Pin (long) (2)
412380	-	*	*	-	*	Needle Bar Change Over Frame Spring (4)
412381	-	*	*	-	*	Needle Bar Change Over Frame Pin
412382	-	*	*	-	*	Needle Bar Change Over Frame Eccentric
412383	-	*	*	-	*	Needle Bar Change Over Frame Cover Plate
412384	-	*	*	-	*	Needle Bar Change Over Shaft Crank with 544214-055
412386	-	*	*	-	*	Needle Bar Change Over Shaft Crank Collar
412387	-	*	*	-	*	Needle Bar Change Over Lever Complete, 412388, 414611
412388	-	*	*	-	*	Needle Bar Change Over Lever
412421	-	*	*	-	*	Needle Bar Rock Frame Rock Shaft Complete, 412422, 412425, 541326
412422	-	*	*	-	*	Needle Bar Rock Frame Rock Shaft
412425	-	*	*	-	*	Needle Bar Rock Frame Rock Shaft Slide Block Complete 412426, 412427
412426	-	*	*	-	*	Needle Bar Rock Frame Rock Shaft Slide Block Stud
412427	-	*	*	-	*	Needle Bar Rock Frame Rock Shaft Slide Block
414611	-	*	*	-	*	Needle Bar Change Over Lever Stop Screw
414612	-	*	*	-	*	Needle Bar Change Over Frame Connection Screw
414614	-	*	*	-	*	Needle Bar Change Over Frame Cover Plate Screw (2)
414628	-	*	*	-	*	Needle Bar Change Over Frame Thumb Screw (4)
500243	-	*	*	-	*	Needle Bar Rock Shaft Crank Hinge Screw
500278	-	*	*	-	*	Needle Bar Rock Shaft Crank Link Slide Screw
500787	-	*	*	-	*	Needle Bar Rock Shaft Crank Link Slide Screw Nut
508286	-	*	*	-	*	Needle Bar Rock Shaft Crank Link Slide Screw Spacer
514043	-	*	*	-	*	Needle Bar Rock Shaft Bushing (2)
541166-003	-	*	*	-	*	Connecting Rod Nut (2)
544201-001	-	*	*	-	*	Needle Bar Change Over Frame Eccentric Set Screw
544214-055	-	*	*	-	*	Needle Bar Change Over Shaft Crank Pinch Screw
544326	-	*	*	-	*	Needle Bar Rock Frame Rock Shaft Slide Block Stud Check Screw
544351	-	*	*	-	*	Needle Bar Rock Shaft Connection Link Crank Pinch Screw
545413	-	*	*	-	*	Needle Bar Rock Shaft Crank Link Slide Screw Lock Nut (2)



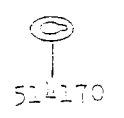
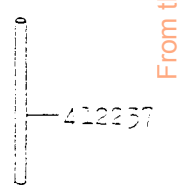
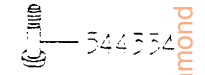
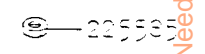
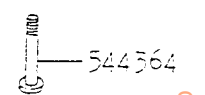
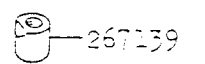
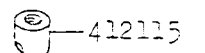
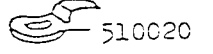
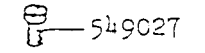
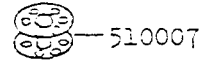
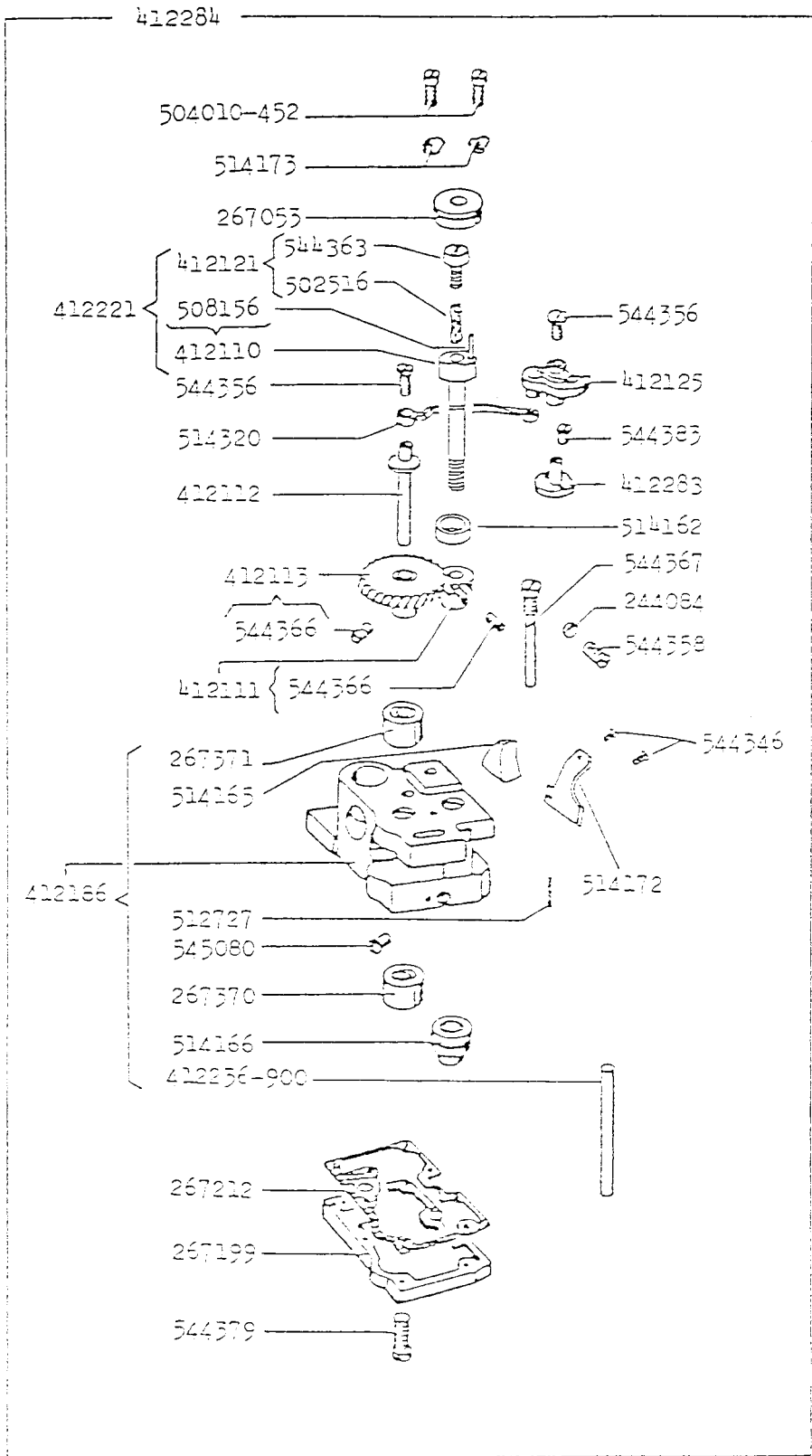
From the library of: Diamond Needle Corp

No.	V1110217	V3111	V4111	V1115	V3115	V4115	Description
412394	-	*	-	*	-	-	Tension Bracket and Releasing Lever Complete, 412395, 412400, 412401, 412402, 412403 (4), 412404 (2), 412405 (2), 412406, 412407, 412408, 412409 (2), 412410, 412411, 412412, 412414, 412416, 412417, 414617, 414630, 414633, 541465 (4), 541465
412395	-	*	*	-	*	*	Tension Bracket
412400	-	*	*	-	*	*	Tension Release Lever
412401	-	*	*	-	*	*	Tension Release Plunger (short)
412402	-	*	*	-	*	*	Tension Release Plunger (long)
412403	-	*	*	-	*	*	Tension Disc (4)
412404	-	*	*	-	*	*	Tension Release Washer (2)
412405	-	*	*	-	*	*	Tension Spring (2)
412406	-	*	*	-	*	*	Thread Controller Stud
412407	-	*	*	-	*	*	Thread Controller Spring (back)
412408	-	*	*	-	*	*	Thread Controller Spring (front)
412409	-	*	*	-	*	*	Thread Controller Disc
412410	-	*	*	-	*	*	Thread Controller Disc Washer (large)
412411	-	*	*	-	*	*	Thread Controller Disc Washer (small)
412412	-	*	*	-	*	*	Thread Controller Stud Collar with 504007 (2)
412414	-	*	*	-	*	*	Thread Controller Spring Cover with 504007
412416	-	*	-	-	*	-	Releasing Lever
412417	-	*	-	-	*	-	Releasing Lever Hinge Screw Spring
412418	-	*	*	-	*	*	Thread Retainer
412419	-	*	*	-	*	*	Thread Controller Spring Stop
412420	-	*	-	-	*	-	Releasing Lever Stud Spring
414610	-	*	-	-	*	-	Releasing Lever Stud
414617	-	*	*	-	*	*	Tension Release Lever Hinge Screw (2)
414630	-	*	-	-	*	-	Releasing Lever Hinge Screw
414633	-	*	*	-	*	*	Thread Controller Disc Screw
504007	-	*	*	-	*	*	Thread Controller Stud Collar Set Screw (2)
504007	-	*	*	-	*	*	Thread Controller Spring Cover Set Screw
504509	-	*	-	-	*	-	Releasing Lever Stud Nut
541465	-	*	*	-	*	*	Tension Thumb Nut (4)
541465	-	*	*	-	*	*	Tension Controller Spring Cover Thumb Nut
513804-004	-	*	-	-	*	-	Releasing Lever Stud Washer
515092	-	*	*	-	*	*	Thread Controller Spring Stop Screw



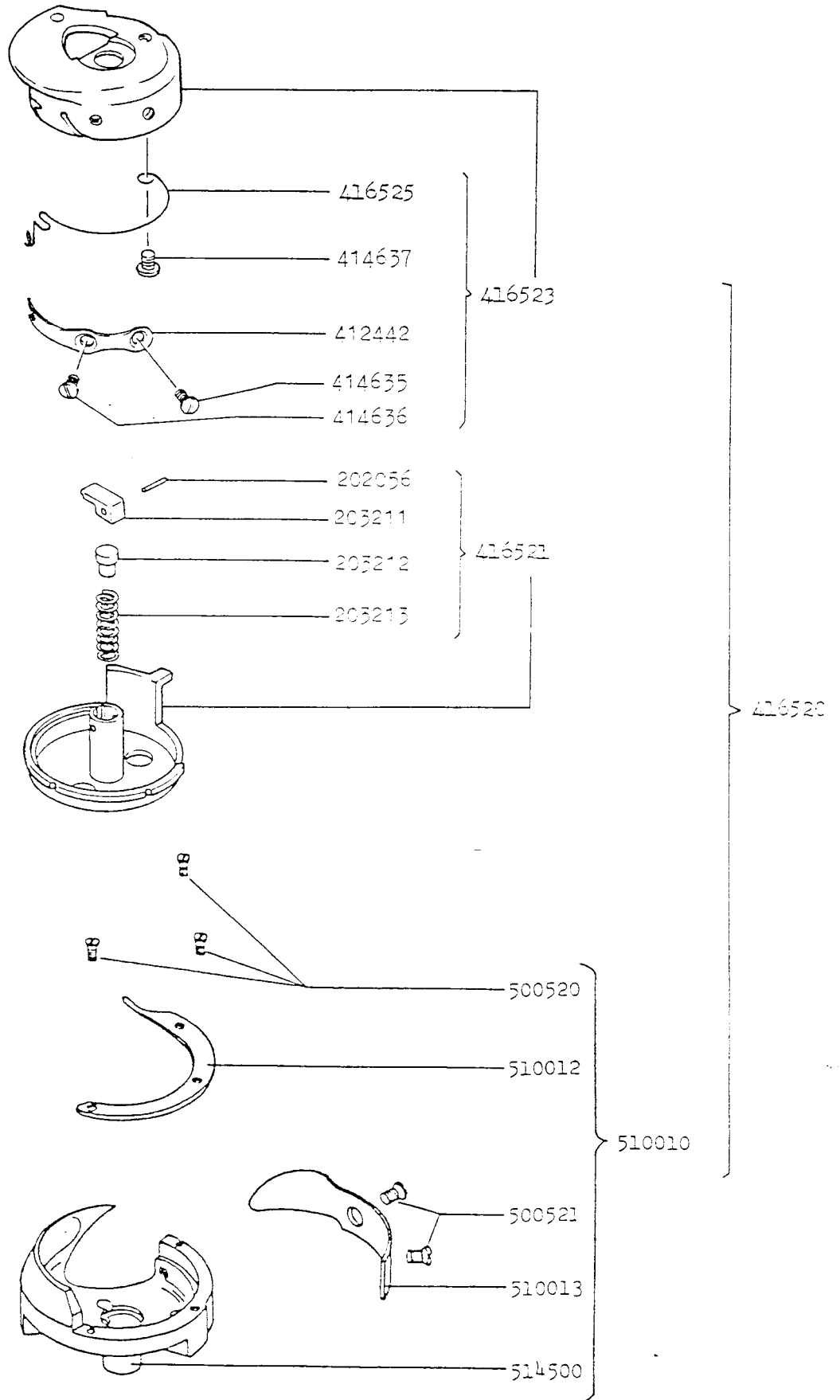
From the library of: Diamond Needle Corp

No.	212U543A 143A 144A 541A 543A 544A	Description
225585	* * * * *	Hook Saddle Screw Washer
224084	* * * * *	Hook Saddle Oil Regulating Screw Check Screw Packing
267053	* * * * *	Hook Ball Bearing
267139	* * * * *	Finch Sleeve (lower)
267200	* * * * *	Hook Saddle Oil Reservoir
267212	* * * * *	Hook Saddle Oil Reservoir Gasket
267370	* * * * *	Bobbin Case Opener Driving Cam Shaft Bushing (lower)
267371	* * * * *	Bobbin Case Opener Driving Cam Shaft Bushing (upper)
412110	- - - * * *	Hook Shaft with 508156
412111	- - - * * *	Hook Driving Pinion (Spiral) with 544366 (2)
412112	* * * * *	Bobbin Case Opener Cam Shaft
412113	* * * * *	Bobbin Case Opener Driving Cam Shaft Gear (Spiral) with 544366 (2)
412114	- - - * * *	Bobbin Case Opener Crank Hinge Stud
412115	* * * * *	Pinch Sleeve (upper)
412121	- - - * * *	Hook Shaft Oil Wick Holder Complete 502516, 544363
412123	- - - * * *	Hook Saddle (right) Complete 244084, 267053, 267200, 267212, 412111, 412112, 412113, 412114, 412124, 412125, 412221, 504010-452 (2), 514162, 514171, 514173 (2), 514213, 544346 (2), 544356 (2), 544358 (3), 544367, 544379 (8)
412124	* * * * *	Hook Saddle (right) with 267370, 267371, 416519, 512727, 514165, 514166, 545080
412125	- - - * * *	Bobbin Case Opener Crank
412221	- - - * * *	Hook Shaft, Hook Shaft Oil Wick Holder Complete 412110, 412121
416518	* * * * *	Hook Saddle Oil Gauge
416519	* * * * *	Hook Saddle Oil Gauge Sleeve
502516	- - - * * *	Hook Shaft Oil Wick
504010-452	* * * * *	Hook Ball Bearing Retainer Screw (2)
508156	- - - * * *	Hook Shaft Parallel Pin
510007	- - - * * *	Bobbin
510020	- - - * * *	Bobbin Case Opener
512727	* * * * *	Hook Saddle Oil Wick
514162	- - - * * *	Spacer
514163	* * * * *	Hook Saddle Foam Cushion
514166	* * * * *	Hook Shaft Bushing
514170	- - - * * *	Hook Spacer (7)
514171	* * * * *	Hook Saddle Cover Plate
514173	* * * * *	Hook Ball Bearing Retainer (2)
514213	* * * * *	Bobbin Case Opener Link
544334	* * * * *	Hook Saddle Screw
544346	* * * * *	Hook Saddle Cover Plate Screw (2)
544356	* * * * *	Bobbin Case Opener Crank Cap Screw
544356	* * * * *	Bobbin Case Opener Link Cap Screw
544358	* * * * *	Hook Saddle Oil Regulating Screw Check Screw
544358	* * * * *	Bobbin Case Opener Crank Hinge Stud Set Screw
544358	* * * * *	Bobbin Case Opener Crank Hinge Stud Set Screw Check Screw
544363	- - - * * *	Hook Shaft Oil Wick Holder
544364	* * * * *	Pinch Sleeve Screw
544366	* * * * *	Bobbin Case Opener Driving Cam Shaft Gear (Spiral) Set Screw (2)
544366	* * * * *	Hook Driving Pinion (Spiral) Set Screw (2)
544367	* * * * *	Hook Saddle Oil Regulating Screw
544379	* * * * *	Hook Saddle Oil Reservoir Screw (8)
545080	* * * * *	Hook Saddle Oil Stop Screw
549027	* * * * *	Bobbin Case Opener Screw

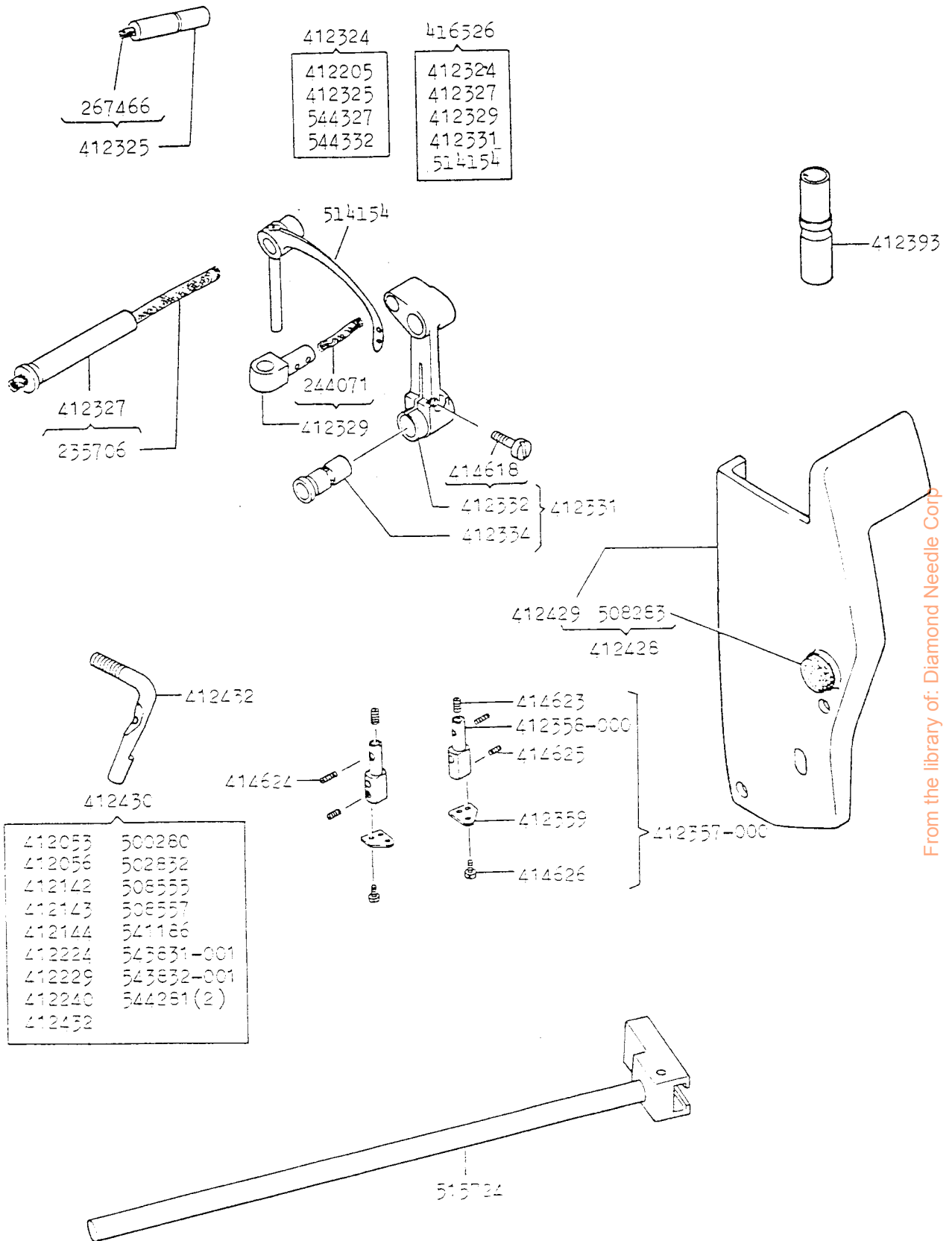


From the library of: Diamond Needle Corp

No.	212U543A	543A	543A	543A	543A	Description
225585	*	*	*	*	*	Hook Saddle Screw Washer
244084	*	*	*	*	*	Hook Saddle Oil Regulating Screw Check Screw Packing
267053	*	*	*	*	*	Hook Ball Bearing
267139	*	*	*	*	*	Pinch Sleeve (lower)
267199	*	*	*	*	*	Hook Saddle Oil Reservoir (left)
267212	*	*	*	*	*	Hook Saddle Oil Reservoir Gasket
267370	*	*	*	*	*	Bobbin Case Opener Driving Cam Shaft Bushing (lower)
267371	*	*	*	*	*	Bobbin Case Opener Driving Cam Shaft Bushing (upper)
412110	-	-	-	*	*	Hook Shaft with 508156
412111	-	-	-	*	*	Hook Driving Pinion (Spiral) with 544366 (2)
412112	*	*	*	*	*	Bobbin Case Opener Cam Shaft
412113	*	*	*	*	*	Bobbin Case Opener Driving Cam Shaft Gear (Spiral) with 544366 (2)
412115	*	*	*	*	*	Pinch Sleeve (upper)
412121	-	-	-	*	*	Hook Shaft Oil Wick Holder Complete 502516, 544363
412125	-	-	-	*	*	Bobbin Case Opener Crank
412186	*	*	*	*	*	Hook Saddle (left) with 267370, 267371, 416519, 545080, 512727, 514165
412221	-	-	-	*	*	Hook Shaft, Hook Shaft Oil Wick Holder Complete 412110, 412121
412283	-	-	-	*	*	Bobbin Case Opener Crank Hinge Stud (left)
412284	-	-	-	*	*	Hook Saddle (left) Complete 244084, 267053, 267199, 267212, 412111, 412112, 412113, 412125, 412186, 412221, 412283, 504010-452 (2), 514162, 514172, 514173 (2), 514320, 544346 (2), 544356 (2), 544358, 544367, 544379 (8), 544383
416518	*	*	*	*	*	Hook Saddle Oil Gauge
416519	*	*	*	*	*	Hook Saddle Oil Gauge Sleeve
502516	-	-	-	*	*	Hook Shaft Oil Wick
504010-452	*	*	*	*	*	Hook Ball Bearing Retainer Screw (2)
508156	-	-	-	*	*	Hook Shaft Parallel Pin
510007	-	-	-	*	*	Bobbin
510020	-	-	-	*	*	Bobbin Case Opener
512727	*	*	*	*	*	Hook Saddle Oil Wick
514162	-	-	-	*	*	Spacer
514165	*	*	*	*	*	Hook Saddle Foam Cushion
514166	*	*	*	*	*	Hook Shaft Bushing
514170	-	-	-	*	*	Hook Spacer (7)
514172	*	*	*	*	*	Hook Saddle Cover Plate
514173	*	*	*	*	*	Hook Ball Bearing Retainer (2)
514320	*	*	*	*	*	Bobbin Case Opener Link (left)
544334	*	*	*	*	*	Hook Saddle Screw
544346	*	*	*	*	*	Hook Saddle Cover Plate Screw (2)
544356	*	*	*	*	*	Bobbin Case Opener Crank Cap Screw
544356	*	*	*	*	*	Bobbin Case Opener Link Cap Screw
544358	*	*	*	*	*	Hook Saddle Oil Regulating Screw Check Screw
544363	-	-	-	*	*	Hook Shaft Oil Wick Holder
544364	*	*	*	*	*	Pinch Sleeve Screw
544366	*	*	*	*	*	Bobbin Case Opener Driving Cam Shaft Gear (Spiral) Set Screw (2)
544366	*	*	*	*	*	Hook Driving Pinion (Spiral) Set Screw (2)
544367	*	*	*	*	*	Hook Saddle Oil Regulating Screw
544379	*	*	*	*	*	Hook Saddle Oil Reservoir Screw (8)
544383	*	*	*	*	*	Bobbin Case Opener Crank Hinge Stud (left) Screw
545080	*	*	*	*	*	Hook Saddle Oil Stop Screw
549027	*	*	*	*	*	Bobbin Case Opener Screw



No.	212U543A	143A	144A	541A	543A	544A	Description
202056	*	*	*	*	*	*	Bobbin Case Base Latch Pin (2)
203211	-	*	*	-	*	*	Bobbin Case Base Latch (2)
203212	-	*	*	-	*	*	Bobbin Case Base Latch Flunger (2)
203213	-	*	*	-	*	*	Bobbin Case Base Latch Spring (2)
414637	-	*	*	-	*	*	Bobbin Case Spring Screw (2)
416520	-	-	-	-	*	*	Hook and Bobbin Case Complete (2) 416521, 416523, 510010
416521	-	-	-	-	*	*	Bobbin Case Base (2) with 202056, 203211, 203212, 203213
416523	-	-	-	-	*	*	Bobbin Case (2) with 414637, 416525, 500518, 500519, 510011
416525	-	-	-	-	*	*	Bobbin Case Spring (2)
500518	-	-	-	*	*	*	Bobbin Case Tension Spring Screw (2)
500519	-	-	-	*	*	*	Bobbin Case Tension Spring Regulating Screw (2)
500520	-	-	-	*	*	*	Hook Gib Screw (6)
500521	-	-	-	*	*	*	Hook Needle Guard Screw (4)
510010	-	-	-	*	*	*	Hook Complete (2), 500520 (3), 500521 (2), 510012, 510013, 514500
510011	-	-	-	*	*	*	Bobbin Case Tension Spring (2)
510012	-	-	-	*	*	*	Hook Gib (2)
510013	-	-	-	*	*	*	Hook Needle Guard (2)
514500	-	-	-	*	*	*	Hook (2)



From the library of: Diamond Needle Corp

No.	2120543A 143A 144A 541A 543A 544A	Description
235706	* * * * *	Take-Up Lever Hinge Stud Wick
244071	* * * * *	Take-Up Lever Driving Stud Wick
267466	* * * * *	Needle Bar Connecting Link Stud Wick
412324	- * * - * *	Arm Shaft, Needle Bar Crank, Needle Bar Connecting Link Stud Complete, 412205, 412325, 544327, 544332
412325	- * * - * *	Needle Bar Connecting Link Stud with 267466
412327	- * * - * *	Take-Up Lever Hinge Stud with 235706
412329	- * * - * *	Take-Up Lever Driving Stud with 244071
412331	- * * - * *	Needle Bar Connecting Link Complete, 412332, 412334
412332	- * * - * *	Needle Bar Connecting Link with 414618
412334	- * * - * *	Needle Bar Connecting Link Bushing (Eccentric)
412357-008	- * * - * *	Needle Clamp Complete (1/8") (2) 412358-008, 412359, 414623, 414625, 414626
412357-012	- * * - * *	Needle Clamp Complete (3/16") (2) 412358-012, 412359, 414623, 414625, 414626
412357-016	- * * - * *	Needle Clamp Complete (1/4") (Standard) (2) 412358-016, 412359, 414623, 414625, 414626
412357-020	- * * - * *	Needle Clamp Complete (5/16") (2) 412358-020, 412359, 414623, 414625, 414626
412357-024	- * * - * *	Needle Clamp Complete (3/8") (2) 412358-024, 412359, 414623, 414625, 414626
412357-100	- * * - * *	Needle Clamp Complete (1") (2) 412358-100, 412359, 414623, 414625, 414626
412358-008	- * * - * *	Needle Clamp (1/8") (2)
412358-012	- * * - * *	Needle Clamp (3/16") (2)
412358-016	- * * - * *	Needle Clamp (1/4") (Standard) (2)
412358-020	- * * - * *	Needle Clamp (5/16") (2)
412358-024	- * * - * *	Needle Clamp (3/8") (2)
412358-100	- * * - * *	Needle Clamp (1") (2)
412359	- * * - * *	Needle Clamp Thread Guide (2)
412393	- * * - * *	Presser Bar Bushing (Upper)
412428	- * * - * *	Face Plate Complete, 412429, 508283
412429	- * * - * *	Face Plate
412430	- * * - * *	Arm Cover (Top) with 412053, 412056, 412142, 412143, 412144, 412224, 412229, 412240, 412432, 508280, 508282, 508555, 508557, 541186, 543831-001, 543832-001, 544281 (2)
412432	- * * - * *	Thread Guide (Top of Arm) (Large)
414618	- * * - * *	Needle Bar Connecting Link Bushing (Eccentric) Pinch Screw
414623	- * * - * *	Needle Clamp Regulating Screw (2)
414624	- * * - * *	Needle Clamp Set Screw (2)
414625	- * * - * *	Needle Set Screw (2)
414626	- * * - * *	Needle Clamp Thread Guide Set Screw (2)
416526	- - - - * *	Arm Shaft Needle Bar Crank, Take-Up Lever Complete 412324, 412327, 412329, 412331, 514154
508283	* * * * *	Face Place Plug
514154	- - - * * *	Take-Up Lever
515724	- * * - * *	Feed Driving Rock Shaft

Form U3458 (783)
Part No. 409835-002
Printed in Japan